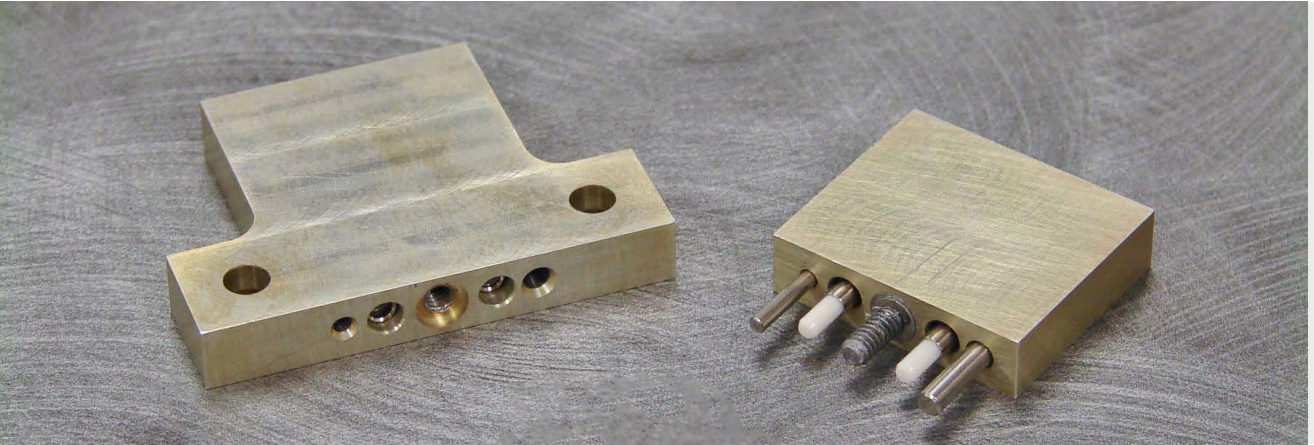


FS115 LowPro



Amphenol Fiber Systems International (AFSI) manufactures a complete line of next generation fiber optic connectors designed to meet the needs of harsh environment applications.

Amphenol Fiber Systems International offers the LowPro series of low-profile, fiber optic connectors. The FS115 LowPro has a height of 0.25" making it ideal for edge-card connections and other applications that require minimal connector profiles. Using field proven M29504/14 & /15 termini, this fiber optic connector has excellent optical performance with insertion losses of 0.35 dB (typical), 0.75 dB (maximum) and typical back-reflection of -50 dB (single mode).

The standard connector is offered with two fiber optic channels. Additional channels are available upon consultation with the factory. The FS115 LowPro is available in side mount, panel mount and in-line configurations to support multiple mounting options. LowPro connectors are also offered in a wide variety of plating options and materials (aluminum, stainless steel, marine bronze and brass) to satisfy a wide range of harsh environments.

Features & Benefits :

- Low-profile, fiber optic connector for applications requiring minimal height profiles
- Field-proven M29504/14 & /15 termini provides excellent optical performance
- Available in a wide variety of materials supporting various harsh environments
- Multiple configurations provide support for several mounting options

Applications:

- Ground Systems
- Avionics
- Shipboard Systems

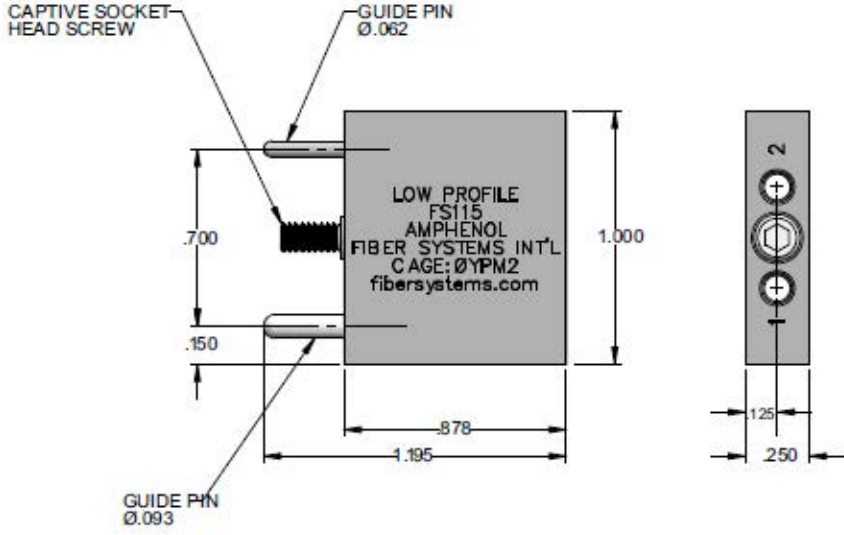
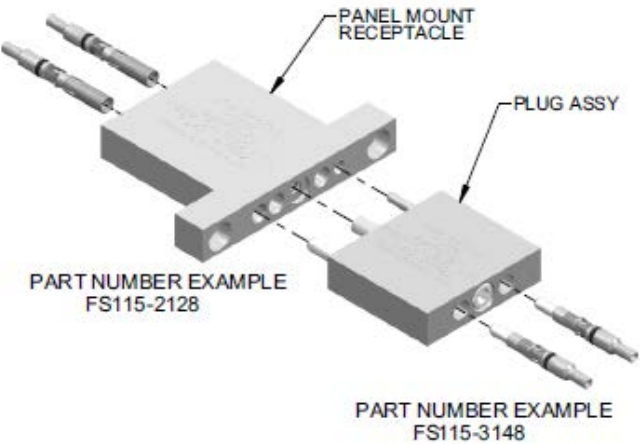


Amphenol Fiber Systems International, Inc. | 1300 Central Expressway N, Suite 100 Allen, TX 75013

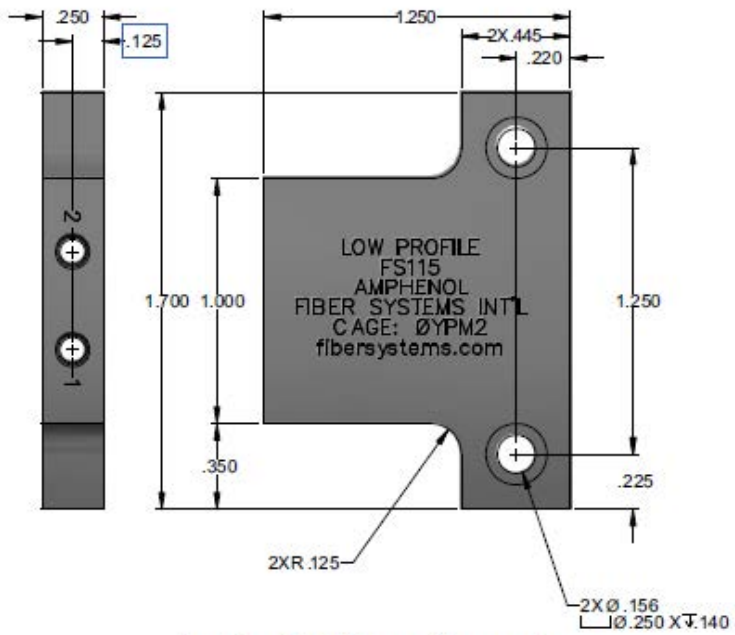
Phone: (214) 547-2400 | Email: sales@fibersystems.com | Website: amphenol-fsi.com

Amphenol Fiber Systems International (AFSI), a division of Amphenol Military & Aerospace Operations (AMAO), is the largest manufacturer of harsh environment fiber optic cable assemblies & connectors in the world. Visit AMAO at amphenolmao.com.

FS115 LowPro



LowPro Plug Assembly



LowPro Side Mount Receptacle

Build a FS115 LowPro:

1. Base Part Number	2. Part Type	3. Ch. #	4. Mounting Type	5. Material Finish
FS115				

1. Base Part Number

FS115

2. Part Type

2	Receptacle
3	Plug

3. # Of Channels

1	2 Channels
----------	------------

5. Material Finish

2	Aluminum CAD Olive Drab
3	Aluminum Zinc Alloy, Olive Drab
4	Aluminum, Black Hard Anodize PTFE
6	303 Stainless Steel Passivate
8	316 Stainless Steel Passivate
A	Marine Bronze
B	Brass

4. Mounting Type

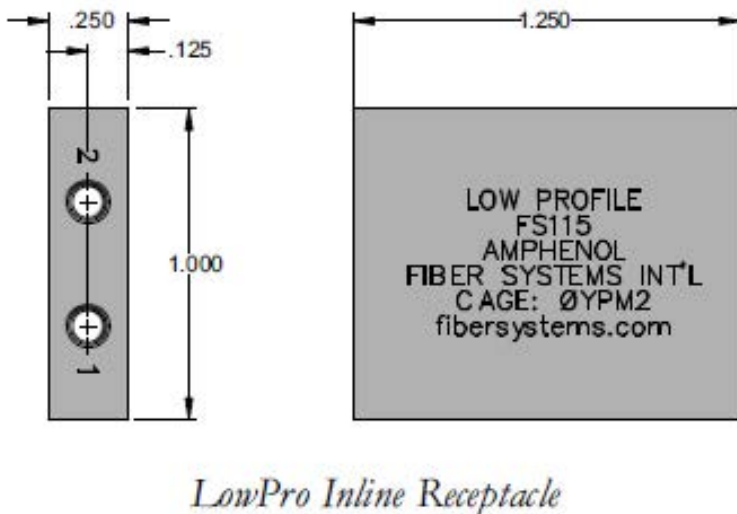
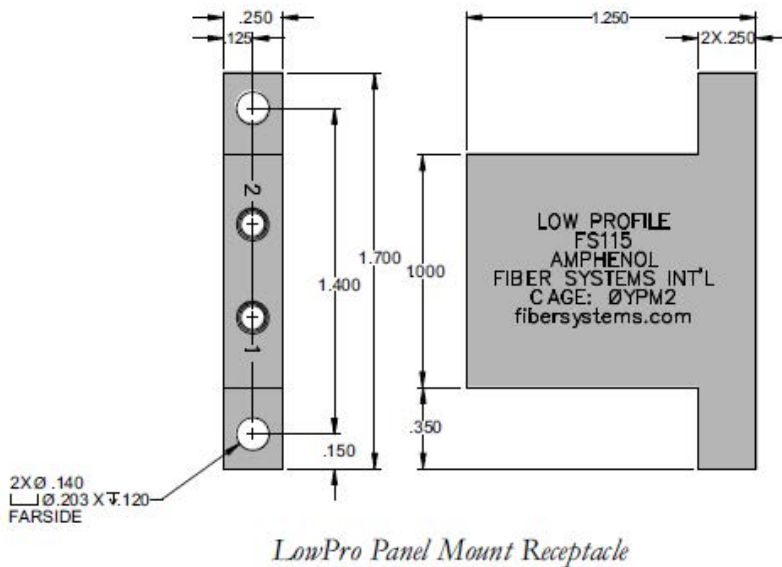
1	Side mount Receptacle
2	Panel Mount Receptacle
3	Inline Receptacle
4	Plug Assembly

FS115 LowPro

Amphenol FSI

How to Order :

For more information on how to order or to obtain a price quote on any of our TFOCA-II® EX products, please call us at 800-472-4225. For international calls please dial 214-547-2400 or e-mail us at info@fibersystems.com.



About Amphenol Fiber Systems International :

Amphenol Fiber Systems International (AFSI) designs, manufactures, markets and supports reliable and innovative fiber optic interconnect solutions that withstand the harsh environments of military, oil & gas, mining and broadcast applications. After more than two decades in business, AFSI continues to uphold its position as a global leader in fiber optic interconnect components and systems such as termini, M28876, MIL-ST, TFOCA and the TFOCA-II® connector, which AFSI developed and patented.

AFSI has delivered millions of fiber optic connectors in more than 34 countries. Whenever there is a need for superior, cost-effective fiber optic systems and products that will stand up to demanding operating environments, you can rely on AFSI for engineering know-how, top-quality products and expert technical support.

Visit www.amphenol-fsi.com for more information.

Amphenol Fiber Systems International, Inc. | 1300 Central Expressway N, Suite 100 Allen, TX 75013

Phone: (214) 547-2400 | Email: sales@fibersystems.com | Website: amphenol-fsi.com

Amphenol Fiber Systems International (AFSI), a division of Amphenol Military & Aerospace Operations (AMAO), is the largest manufacturer of harsh environment fiber optic cable assemblies & connectors in the world. Visit AMAO at amphenolmao.com.